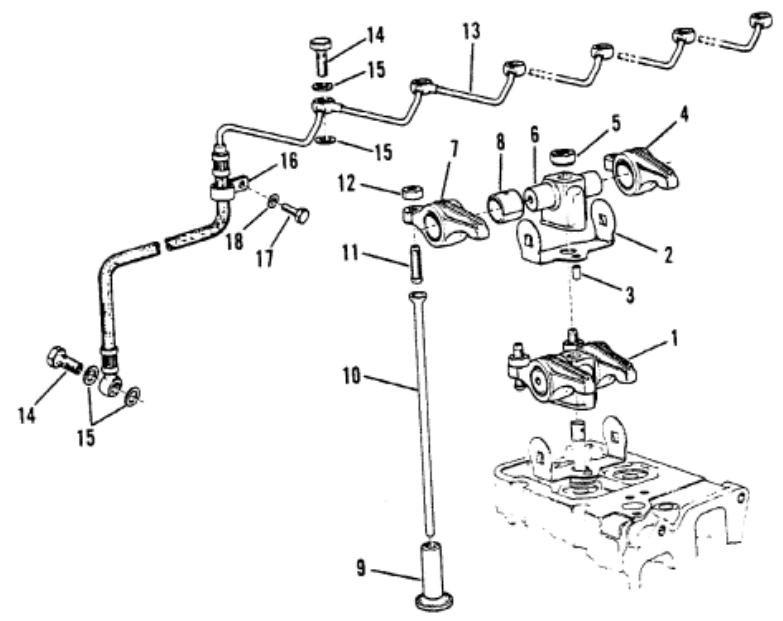


ROCKER ARM AND OIL LINES



Parts List					
Ref	Class	Part	Description	Qty	Footnote
1		801331739	BRACKET	6	
2		801333863	STRAP	6	
3	17	801331748	CENTERING PIN	6	
4		801331742	ROCKER ARM (INTAKE)	6	
5	11	801331749	NUT	6	
6		801331740	SUPPORT	6	
7		801331741	ROCKER ARM (EXHAUST)	6	
8	23	801331745	BUSHING	12	
9		801331737	TAPPET	12	
10		801331738	TAPPET ROD	12	
11	10	801331746	ADJUSTING SCREW	12	
12	11	811395	JAM NUT	12	
13	32	801333423	OIL LINE	1	
14	10	811394	BANJO BOLT	7	
15	25	809963042	O-RING	14	1
16	54	801333424	CLIP	1	
17	10	809913218	SCREW	1	
18	12	809931036	WASHER	1	
19	27	811490	GASKET SET	-	